

Driver: \_\_\_\_\_ Date: \_\_\_\_\_ Event/Track: \_\_\_\_\_  
 Qualify: \_\_\_\_\_ Final: \_\_\_\_\_ Best Lap: \_\_\_\_\_

### TRACK TYPE

Grip Level High  Medium  Low   
 Type Tight  Open  Mixed   
 Condition Flat  Bumpy  Mixed   
 Surface Clay  Long Astro  Carpet   
 Grass  Short Astro  Mixed   
 Weather \_\_\_\_\_

### TYRES

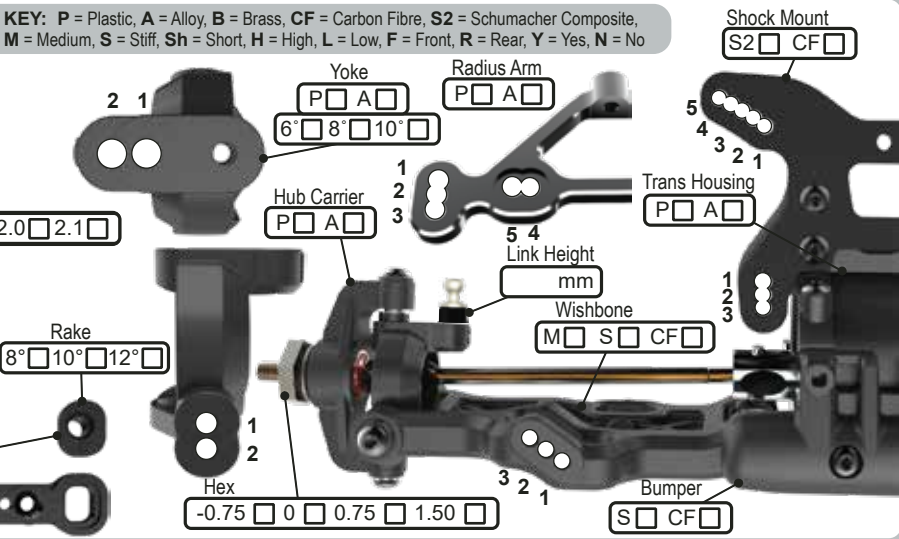
	FRONT	REAR
Tyres	_____	_____
Wheels	_____	_____
Inserts	_____	_____

Notes: \_\_\_\_\_

Notes: \_\_\_\_\_

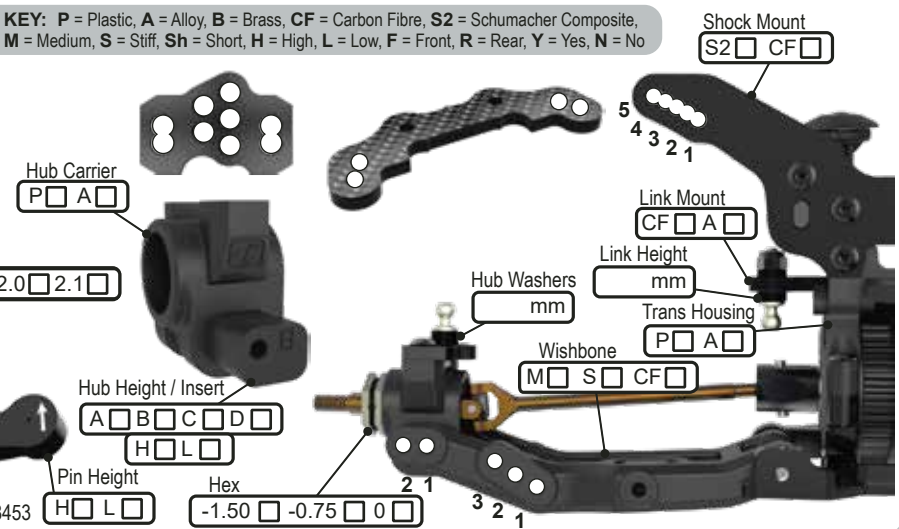
### FRONT SUSPENSION

Ride Height \_\_\_\_\_ mm  
 Wheelbase Long  Short   
 Toe \_\_\_\_\_ deg In  Out   
 Camber at Ride Height \_\_\_\_\_ deg  
 Anti Roll Bar None  1.2  1.4  1.6  1.8  1.9  2.0  2.1   
 Hub Height H  L   
 Bump Steer Washers \_\_\_\_\_ mm  
 Hingepin Height H  L   
 Driveshaft Type Roche  U/J   
 Steering Arm Kit  1 Dot  2 Dot  3 Dot   
 Track Narrow  Mid  Wide   
 Front Strap A  B



### REAR SUSPENSION

Ride Height \_\_\_\_\_ mm  
 Wheelbase Sh  M  L   
 Anti-Squat 1°  2°  3°  4°   
 Toe 4°  3.5°  3°  2.5°  2°  1.5°  1.0°  0.5°   
 Camber at Ride Height \_\_\_\_\_ deg  
 Anti Roll Bar None  1.2  1.4  1.6  1.8  1.9  2.0  2.1   
 Wing Gurney Height \_\_\_\_\_ mm  
 Driveshaft Type CVD  U/J   
 Gearbox Riser Y  N   
 Hub Height / Insert A  B  C  D   
 Pin Height H  L   
 High Pin Requires U8453



### CHASSIS

Chassis A  C/F   
 LiPo Position R  F   
 Running Weight \_\_\_\_\_ g  
 Front Topdeck S2  CF

### WEIGHTS

Radio Tray Y  N   
 ESC Tray Y  N   
 Pinion \_\_\_\_\_ t  
 Spur \_\_\_\_\_ t  
 R.O.S Y  N   
 Lock Out Y  N   
 Slipper Plates 2  3

### EQUIPMENT

E.S.C. \_\_\_\_\_  
 Servo \_\_\_\_\_  
 RX \_\_\_\_\_  
 LiPo \_\_\_\_\_  
 Bodysell \_\_\_\_\_  
 Wing \_\_\_\_\_

### TRANSMISSION

Diff Height Front H  M  L  Diff Height Rear H  M  L   
 Diff Oil Front \_\_\_\_\_ cSt Diff Oil Rear \_\_\_\_\_ cSt  
 Diff Gears Front 2  4  Diff Gears Rear 2  4   
 Diff Body Front P  A  CF  Diff Body Rear P  A  CF

### SHOCKS

KEY: i = Internal, e = External, V = Vented, S = Sealed, A = Aeration

	FRONT	REAR
Cap	V <input type="checkbox"/> S <input type="checkbox"/> A <input type="checkbox"/>	V <input type="checkbox"/> S <input type="checkbox"/> A <input type="checkbox"/>
Kashima	Y <input type="checkbox"/> N <input type="checkbox"/>	Y <input type="checkbox"/> N <input type="checkbox"/>
Oil	_____ cSt	_____ cSt
Piston	_____	_____
Spring	_____ lb/in	_____ lb/in
Limiters (i)	_____ mm	_____ mm
Stroke	_____ mm	_____ mm
Limiters (e)	_____ mm	_____ mm
Shock Stand Off	_____ mm	_____ mm

Notes: \_\_\_\_\_